

## SmartSense Sensor Faucet



**ASF-50E /  
ASF-50B**



**Made with premium quality materials**



**Sensor & PCB sealed with resin to prevent moisture damage**



**Sensor range adjusts automatically to the surroundings**



**Option of having low flow aerators**

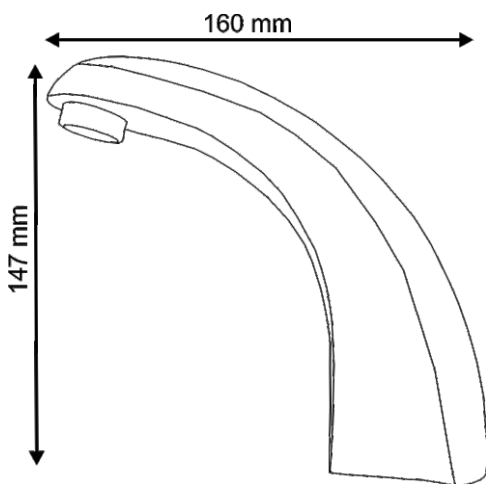


**Touch free operation prevent spread of germs**

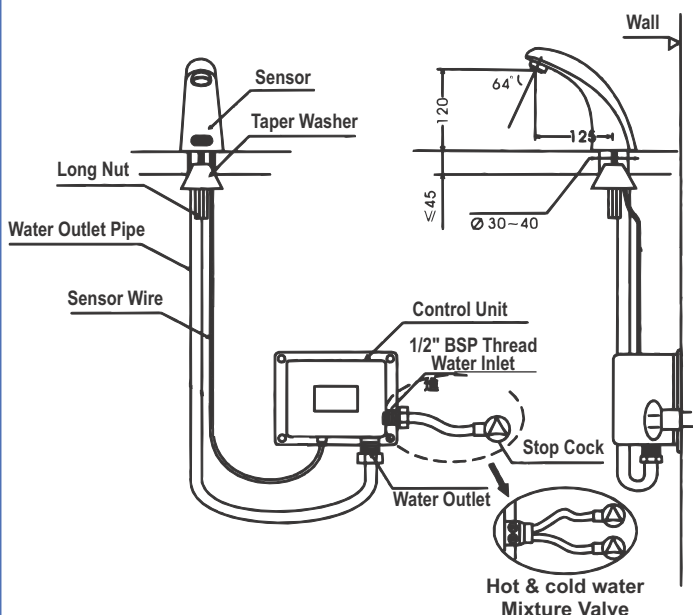


**50% Reduction in water consumption compared to manual faucets**

### DIMENSION DIAGRAM:



### CONNECTION DIAGRAM:



### SPECIFICATIONS

- ✓ Counter or basin mount type suitable for counter sunk and counter top basins
- ✓ Chrome plated brass faucet with IR sensors
- ✓ Brass solenoid magnetic latching valve with piston valve technology
- ✓ 230 Volts, A/C single phase for ASF-50E
- ✓ Use of four "AA" size ALKALINE 1.5 V batteries (DC6V) for ASF-50B
- ✓ Sensor & PCB are sealed to prevent damage due to moisture
- ✓ Sensing range adjusts automatically to surroundings
- ✓ 1/2" B.S.P. input and output water supply connection
- ✓ Can be equipped with low flow water saving aerators to reduce water consumption
- ✓ Min. recommended water pressure: 15 psi  
Max. recommended water pressure: 80 psi  
Shut-off water pressure: 7 psi
- ✓ Sensor equipped with battery low LED indicator