

**askon**  
askon hygiene products pvt. ltd.  
Email : info@askonhygiene.com  
www.askonhygiene.com

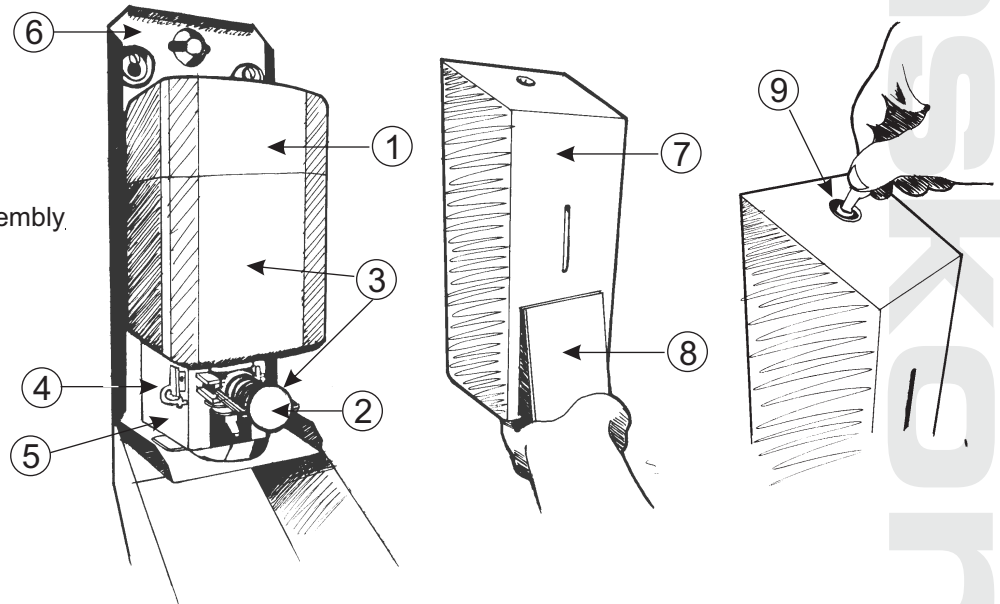
## OWNER'S MANUAL AND INSTALLATION INSTRUCTION FOR SOAP DISPENSER MODEL : AS-SP

Warning  
Ignoring this symbol may cause system to malfunction or not install correctly

- IMPORTANT**
- Maintenance Instructions:**
- (1) Press the key and rotate clockwise to open the lock.
  - (2) In open position, key will not come out of the lock.
  - (3) Do not try to pull the key out when the lock is open as it will damage the lock.
  - (4) Press the key & rotate anti-clockwise to close the lock.
  - (5) Use good quality liquid soap to avoid malfunction and to ensure longer product life.
  - (6) Periodically, empty the soap container and fill it with 100 ml of water. Pump the water out to keep the pump clean and clog free.
  - (7) Clean the soap dispenser with a wet cloth only. Do not use any type of cleaning chemicals on the soap dispenser.
  - (8) Do not let liquid soap remain in contact with the stainless steel parts for prolonged period of time. Many commercially available bulk liquid soaps cause stainless steel to etch.
  - (9) Proper training of the maintenance or housekeeping staff in handling of the soap dispenser is essential to ensure the product will work as intended without damage.

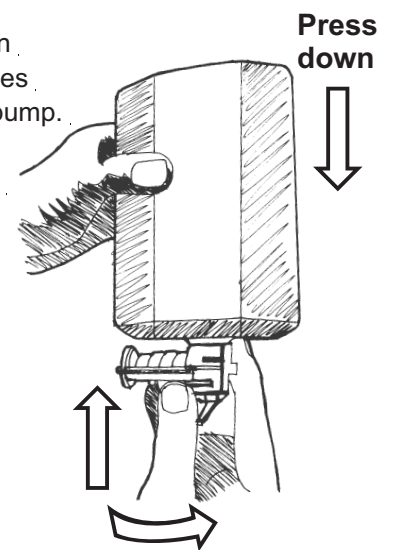
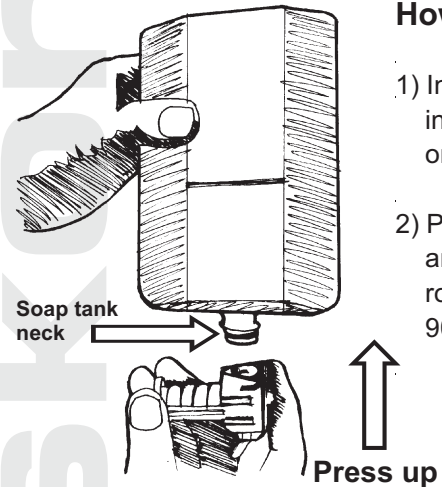
### List of parts


- 1) Soap tank
- 2) Soap pump
- 3) Soap tank and pump assembly
- 4) Soap pump lock
- 5) Stainless Steel Bracket
- 6) Back plate
- 7) Front cover
- 8) Push button
- 9) Dispenser lock and key



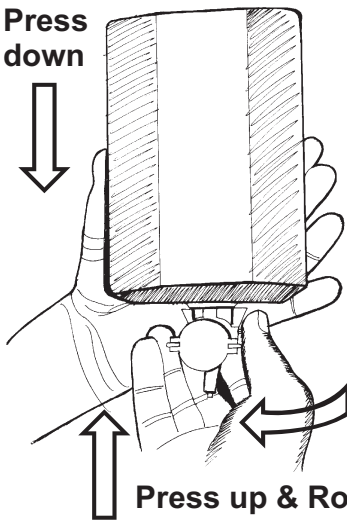
### How to fit the soap tank with the soap pump

- 1) Insert the soap tank into the soap pump as shown in the left side figure. Take care to align the notches on the soap tank neck with the slots in the soap pump.
- 2) Pressing the soap pump in the upwards direction and the soap tank in the downwards direction, rotate the pump in anti-clockwise direction by 90 degrees.



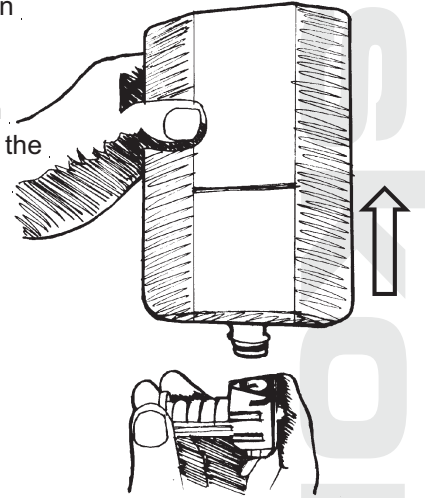
**Please Note:**  If instructions are not followed properly it can damage the locking system of the soap tank and pump resulting in leakage of soap.

Press  
down



### How to separate the soap tank from the soap pump

- 1) Hold the soap tank and pump assembly as shown in the left side figure.
- 2) Pressing the soap pump in the upwards direction and the soap tank in downwards direction, rotate the soap pump in clockwise direction by 90 degrees.
- 3) After rotating, separate the soap tank and soap pump by gently pulling up the soap tank as shown in the right side figure.

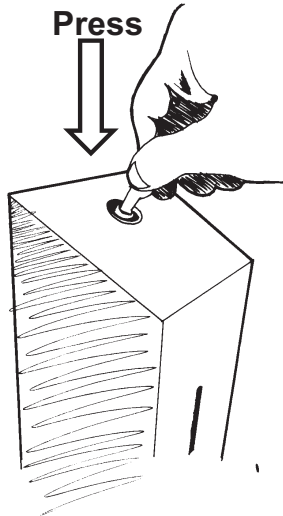


#### Please Note:

If instructions are not followed properly it can damage the locking system of the soap tank and pump resulting in leakage of soap.

### How to open the soap dispenser with key

- 1) Insert the key in the lock. Take care to align the notch on the key with the slot in the lock.
- 2) Press and rotate the key in the clockwise direction to open the dispenser.

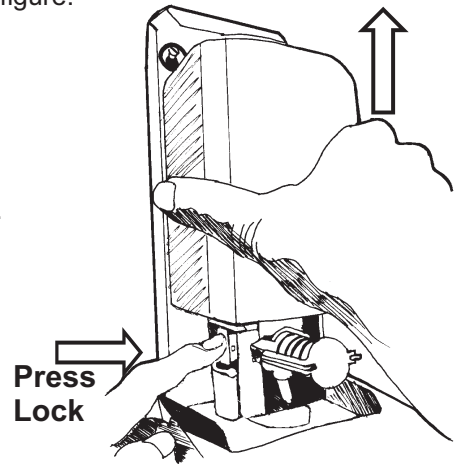


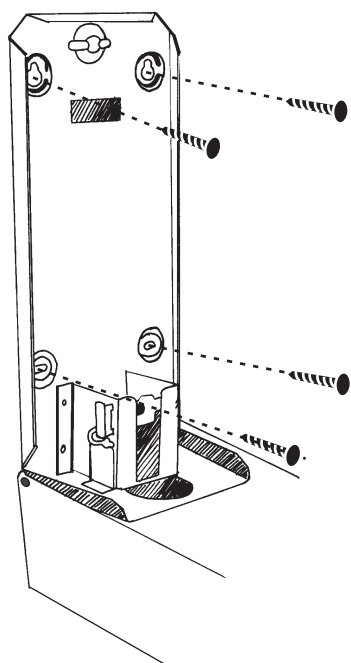
#### Please Note:

Press the key while rotating it. If the key is not pressed, then it can damage the lock.

### How to remove the Soap pump & tank assembly from the dispenser

- 1) Press the soap pump lock.
- 2) Pull the soap tank with pump assembly upwards as shown in the figure.



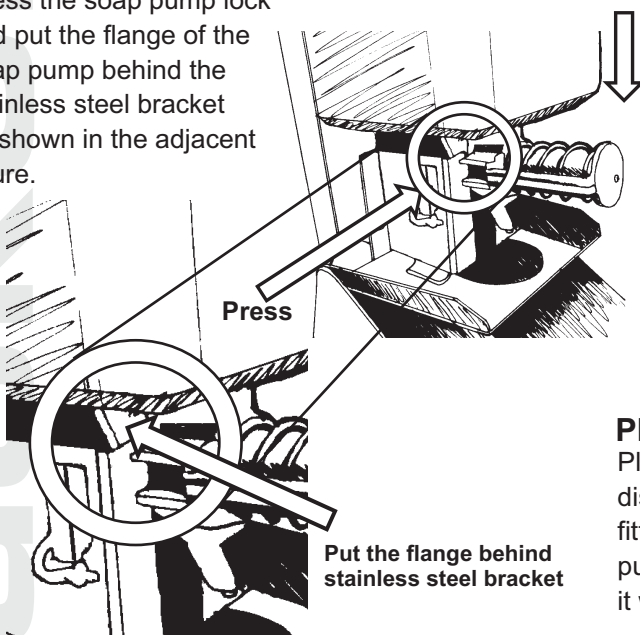


## Installation of Soap Dispenser

1. With the help of installation template provided with the dispenser, make 4 (four) holes in the wall.
2. First, fix two upper screws (provided) in the wall. Do not tighten the screws fully. Keep the head of the screws 5 mm away from the wall.
3. Open the dispenser with the key. Remove the soap tank and pump assembly from the dispenser (please refer page 3). Hang the dispenser with the keyholes provided in the back plate of the dispenser.
4. Fit screws in the lower two holes and then tighten all the four screws to firmly secure the dispenser on the wall.
5. Fit the soap tank and pump assembly back in the dispenser and lock the dispenser (please refer page 5).


## How to fit the soap tank and pump assembly in the dispenser

- 1) Press the soap pump lock and put the flange of the soap pump behind the stainless steel bracket as shown in the adjacent figure.



- 2) The hook on the top of the soap tank should fit into the notch in the back plate as shown in the below figure.
- 3) Release the soap pump lock such that the cylindrical piece on the back side of the soap pump fits into the soap pump lock.
- 4) Lightly pull up the soap tank to check if the whole assembly is properly fitted and locked.

Hook

**Please note:**   
Please do not use the soap dispenser without properly fitting the soap tank and pump assembly otherwise it will get damaged.

